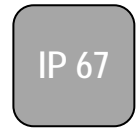
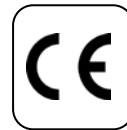


1121-1123-1125 BUTTERFLY VALVES WITH + SA and NA ELECTRIC ACTUATORS

SA actuator page 1 till 5 NA actuator page 6 till 10

CHARACTERISTICS

The butterfly valves 1121 to 1125 are dedicated to the automatic opening/shut-off of common fluid pipes. It has a cast iron body. Thanks to various material possibilities for both the butterfly and the sleeve, it can be used in different applications. The wafer type body enables the mounting between PN10/16 or ANSI 150 flanges. The ISO 5211 pad enables the direct mounting of the SA electric actuator. It is perfectly adapted for an indoor or outdoor industrial use.



AVAILABLE ITEMS

DN 40 to DN 100

Flanged connections RF PN10/16 and ANSI 150

Voltage: 12 V DC, 24 V AC/DC and 230 V AC

Ref.	Butterfly	Sleeve	Application examples	Min. TS	Max. TS
1121	Stainless steel	NBR	Liquid hydrocarbons – compressed air	-10 °C	+90 °C
1123	Stainless steel	EPDM	Demineralised water – Alkaline materials	-10 °C	+110 °C
1125	Ductile iron	EPDM	Cold water – hot water	-10 °C	+110 °C

LIMITS OF USE

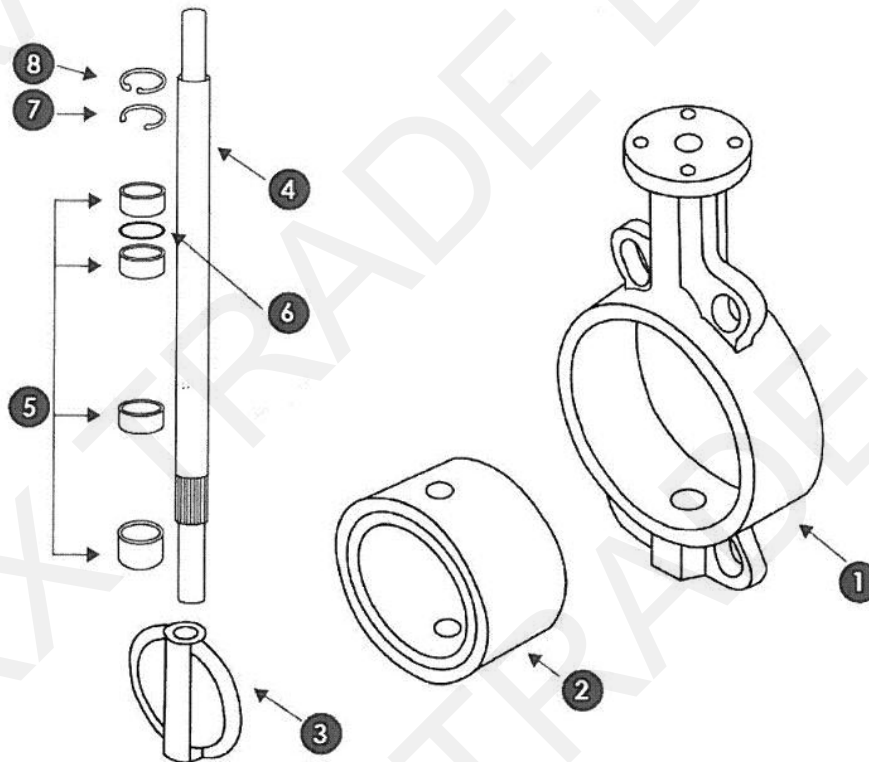
Max. allowable pressure (PS)	16 bar until DN 300
Min./max. allowable temperature (TS)	According to the upper chart
Prohibited use	Steam, natural gas
Room temperature	-10 °C / +70 °C
Service	S2 - 70%

SA actuator



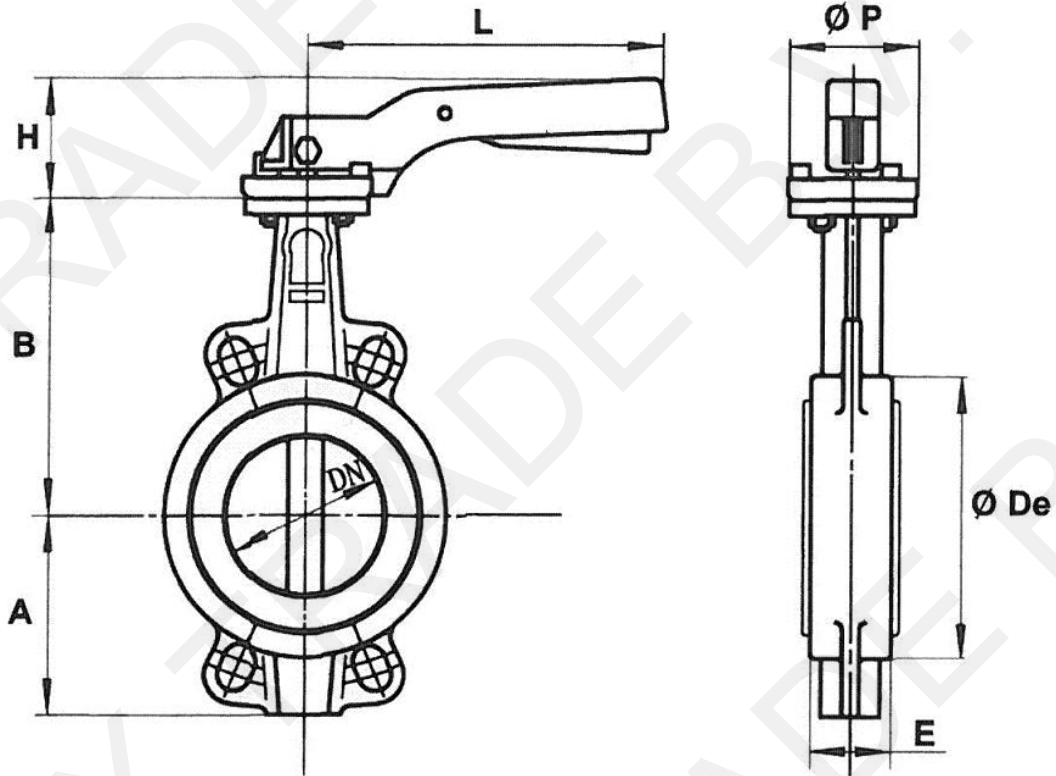
DIRECTIVES AND DEVELOPMENT STANDARDS APPLICABLE

	Standard	Notified bodies		Standard
97/23/EC Pressure Equipment Directive	Cat. III module H	#0035	Valve testing	API 598
Face-to-face dimension	ISO 5752 series 20		Actuator attachment	ISO 5211
Flanges dimension	EN 1092-1			



CONSTRUCTION

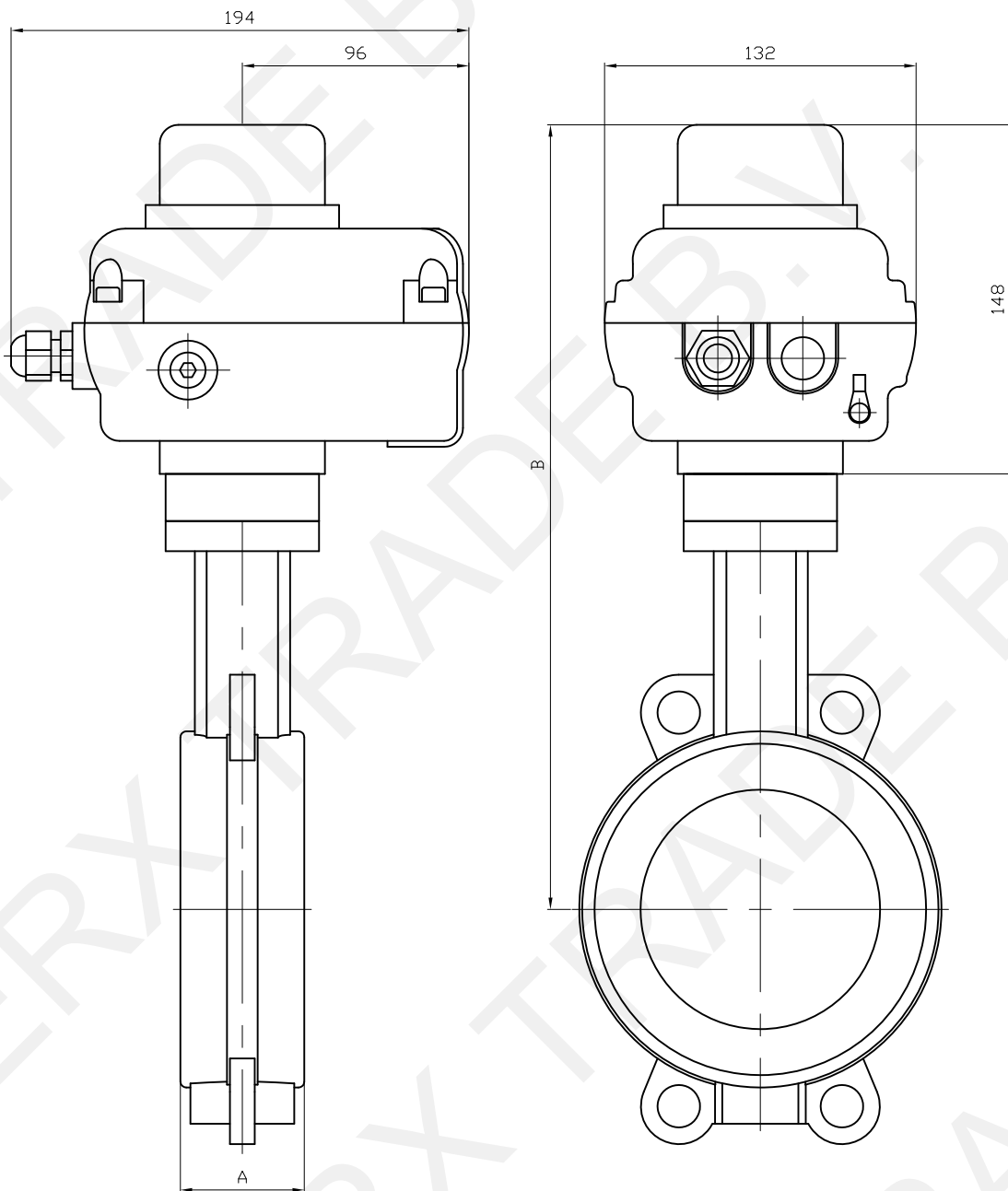
#	Item	1121	1123	1125
1	Body	Cast iron EN GJL-250		
2	Seat	NBR	EPDM	EPDM
3	Butterfly	Stainless steel A351 CF8M	Stainless steel A351 CF8M	Nickel plated ductile iron EN GJS-400-15
4	Stem	Stainless steel 416		
5	Bearings	PTFE		
6	O-ring	NBR	NBR	NBR
7	Security rings	Steel		
8	Security rings	Steel		

DIMENSIONS (mm)


DN	40	50	65	80	100	125	150	200	250	300
A	61	77	87.5	95	107	121	144	171	205	235
B	130	136	142	158	180	192	215	242	280	310
Ø De	82	95	109	127	152	180	207	260	315	370
E	33	43	46	46	52	56	56	60	68	78
H	74	74	74	74	74	79	79	37	37	37
L	200	200	200	200	200	278	278	355	507	507
Ø P	65	65	65	65	65	90	90	125	150	150
Weight (kg)	1.8	2.5	2.9	3.2	4.12	6.7	7.8	14.2	23.4	33.8

FLOW FACTOR Kv (m³/h)

DN	40	50	65	80	100	125	150	200	250	300
Kv	78	98	167	258	512	872	1347	2675	4555	7037



DN	40	50	65	80	100
A	33	43	46	52	56
B	298	304	310	326	348
KG	4.8	5.5	5.9	6.2	7.1

ACTUATION WITH SA

Suggested standard SA actuation for the following conditions:

- Electric actuator with an IP 67 epoxy coated aluminium enclosure and steel gears
- A minimum 1.3 safety factor compared with the valve nominal torque rating,
- A maximum pressure differential up/downstream of 10 bar (=ΔP)

The actuator is directly mounted with an aluminium actuation pad.





DN	Actuator	Power	Intensity 230 V AC	Intensity 24 V AC/DC	Operating time*	Standard equipment of the actuator
40	SA05	6 W	28 mA	1.8 mA	17 s	2 adjustable limit switches 2 dry auxiliary switches 20 W anti-condensation heater Actuator thermal cut-out Manual override by key Backlit position indicator (except for SA-X) Electrical connection: 2 gland packs M20 x 1.5
50	SA05	6 W	28 mA	1.8 mA	17 s	
65	SA05	6 W	28 mA	1.8 mA	17 s	
80	SA05	6 W	28 mA	1.8 mA	17 s	
100	SA05	6 W	28 mA	1.8 mA	17 s	
125	Refer to 1125 + NA					
150						

*Unloaded operating time given for information purpose only. May vary depending on the medium

For any other working conditions, please contact us.

ACTUATION OPTIONS

There are many different options, please contact our commercial department.

1	2	3	4
SA05S: Slow closing electric actuator 70 s	SA05PCU: Regulation actuator 4-20 mA or 0-10 V	SA05RBP: Safety actuator with an integrated battery emergency shutdown	SR 05: Safety spring return actuator
			
5	SAPUI electric actuator with a feedback potentiometer		
6	Electric actuator sized for a maximum pressure differential up/downstream over 10 bar (=ΔP)		
7	NA electric actuator with a declutchable manual override by handwheel		

1121-1123-1125 BUTTERFLY VALVES WITH + SA and NA ELECTRIC ACTUATORS

SA actuator page 1 till 4 NA actuator page 6 till 10

CHARACTERISTICS

The butterfly valves 1121 to 1125 are dedicated to the automatic opening/shut-off of common fluid pipes. It has a cast iron body. Thanks to various material possibilities for both the butterfly and the sleeve, it can be used in different applications. The wafer type body enables the mounting between PN10/16 or ANSI 150 flanges. The ISO 5211 pad enables the direct mounting of the NA electric actuator. It is perfectly adapted for an indoor or outdoor industrial use.



AVAILABLE ITEMS

DN 100 to DN 300

Flanged connections RF PN10/16 and ANSI 150

Voltages: 24 V AC/DC and 230 V AC

Ref.	Butterfly	Sleeve	Application examples	Min. TS	Max. TS
1121	Stainless steel	NBR	Liquid hydrocarbons – compressed air	-10 °C	+90 °C
1123	Stainless steel	EPDM	Demineralised water – Alkaline materials	-10 °C	+110 °C
1125	Ductile iron	EPDM	Cold water – hot water	-10 °C	+110 °C

NA actuator

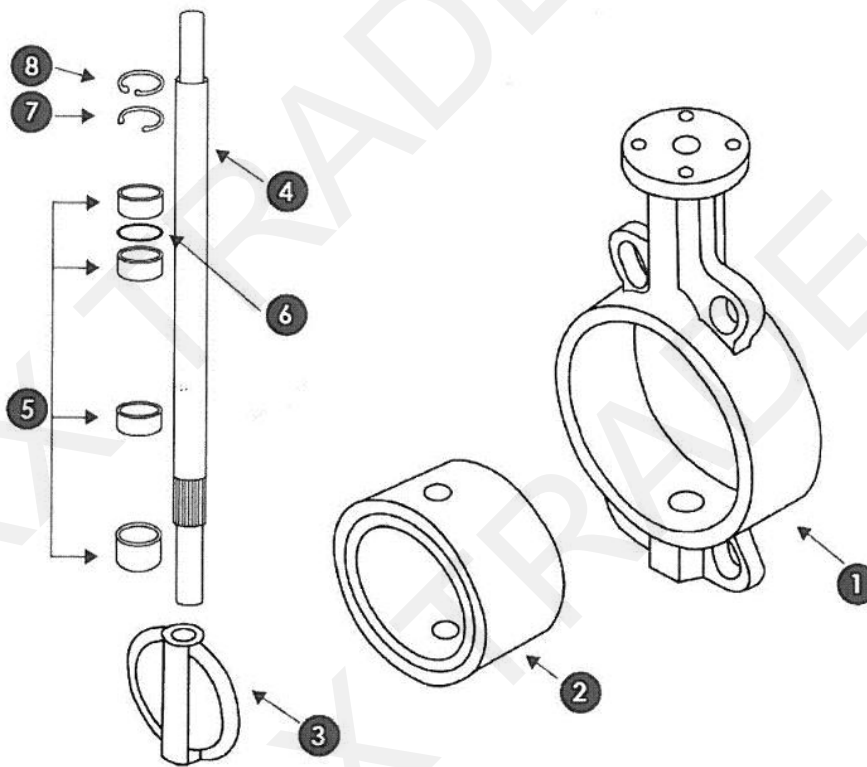
LIMITS OF USE

Max. allowable pressure (PS)	16 bar until DN 300
Min./max. allowable temperature (TS)	According to the upper chart
Prohibited use	Steam, natural gas
Room temperature	-10 °C / +70 °C
Service	S2 - 70%

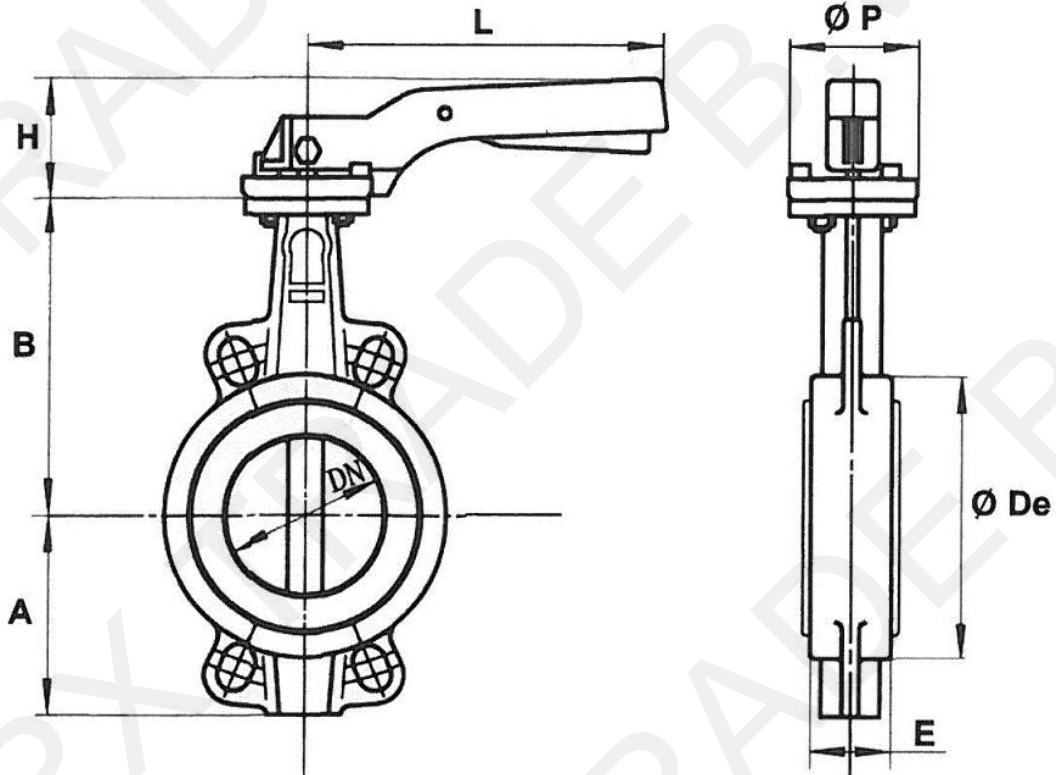


DIRECTIVES AND DEVELOPMENT STANDARDS APPLICABLE

	Standard	Notified bodies		Standard
97/23/EC Pressure Equipment Directive	Cat. III module H	0035	Valve testing	API 598
Face-to-face dimension	ISO 5752 series 20		Actuator attachment	ISO 5211
Flange dimension	EN 1092-1			


CONSTRUCTION

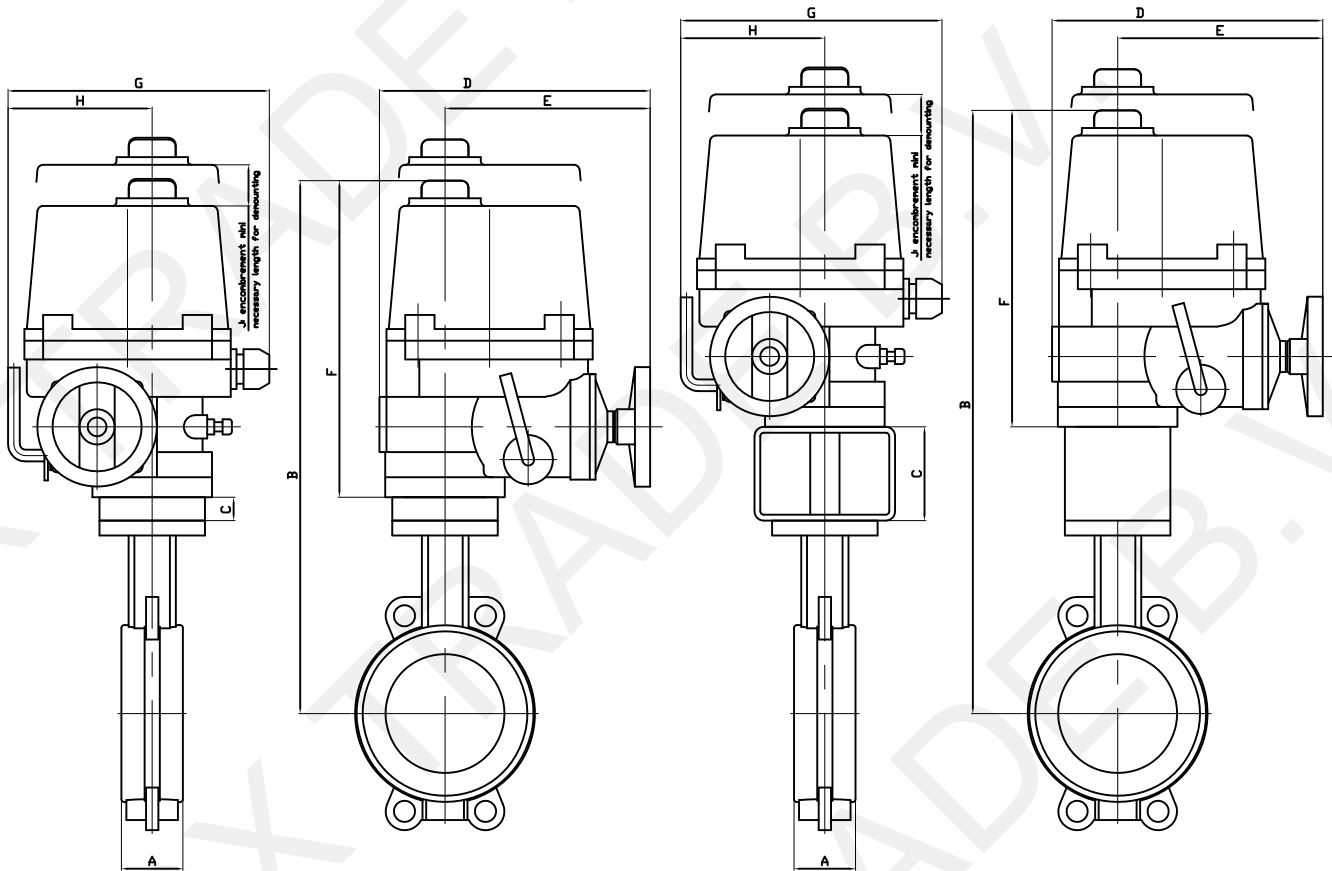
#	Item	1121	1123	1125
1	Body	Cast iron EN GJL-250		
2	Seat	NBR	EPDM	EPDM
3	Butterfly	Stainless steel A351 CF8M	Stainless steel A351 CF8M	Nickel plated ductile iron EN GJS-400-15
4	Stem	Stainless steel 416		
5	Bearings	PTFE		
6	O-ring	NBR	NBR	NBR
7	Security rings	Steel		
8	Security rings	Steel		

DIMENSIONS (mm)


DN	40	50	65	80	100	125	150	200	250	300
A	61	77	87.5	95	107	121	144	171	205	235
B	130	136	142	158	180	192	215	242	280	310
Ø De	82	95	109	127	152	180	207	260	315	370
E	33	43	46	46	52	56	56	60	68	78
H	74	74	74	74	74	79	79	37	37	37
L	200	200	200	200	200	278	278	355	507	507
Ø P	65	65	65	65	65	90	90	125	150	150
Weight (kg)	1.8	2.5	2.9	3.2	4.12	6.7	7.8	14.2	23.4	33.8

FLOW FACTOR Kv (m³/h)

DN	40	50	65	80	100	125	150	200	250	300
Kv	78	98	167	258	512	872	1347	2675	4555	7037



**: montage avec platine H=80mm

DN	100	125	150	200	250	300
Servomoteur	06	09	15	15	28	60
A	52	56	56	60	68	78
B	455	473	496	512	662**	733**
C	20	26	26	15	80	80
D	231	231	261	261	285	325
E	175	175	184	184	202	226
F	255	255	255	255	302	343
G	223	223	266	266	300	349
H	113	113	139	139	159	191
J	108	108	108	108	130	178
KG	15.4	18	20	26.6	42	57.3

ACTUATION WITH NA

Suggested standard NA actuation for the following conditions:

- Electric actuator with an IP 67 epoxy coated aluminium enclosure and steel gears
- A minimum 1.3 safety factor compared with the valve nominal torque rating
- A maximum pressure differential up/downstream of 10 bar ($=\Delta P$)

The actuator is mounted:

- Direct with an aluminium actuation pad for DN 100 to 200
- With stainless steel bracket and coupler according to the EN 15081 standard for DN 250 and 300





DN	Actuator	Power	Operating Time*	
40 to 80	Refer to 1150 + SA actuator			Standard equipment of the actuator
100	NA06	15 W	17 s	2 adjustable limit switches + 2 dry auxiliary switches 20 W anti-condensation heater Visual position indicator Actuator thermal cut-out (NA06 and NA09) Torque limiter (NA15 to NA150) Electrical connection: 2 gland packs M20 x 1.5 Manual override by declutchable handwheel
125	NA09	25 W	17 s	
150	NA15	40 W	20 s	
200	NA15	40 W	20 s	
250	NA28	40 W	20 s	
300	NA60	90 W	29 s	

*Unloaded operating time given for information purpose only. May vary depending on the medium

For any other working conditions, please contact us.

ACTUATION OPTIONS

There are many different options, please contact our commercial department.

1	2	3	4
NALCU: Actuator with a local control	NAPCU: regulation actuator 4-20 mA or 0-10 V	NARBP: Safety actuator with an integrated battery emergency shutdown	SR: Safety spring return actuator
			
5	Electric actuator sized for a maximum pressure differential up/downstream over 10 bar ($=\Delta P$)		
6	NA electric actuator with a declutchable manual override by handwheel		